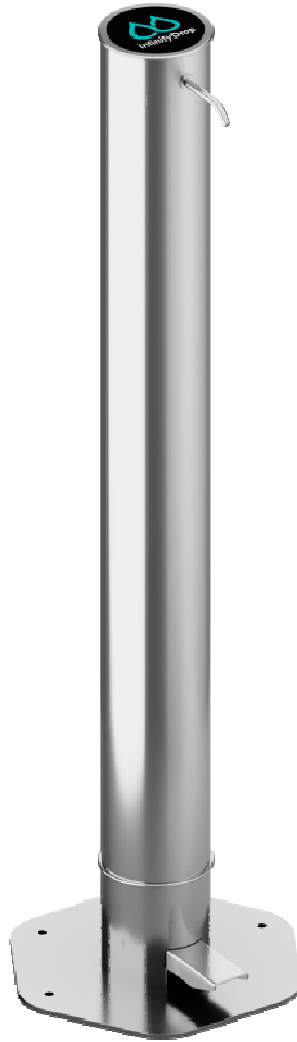
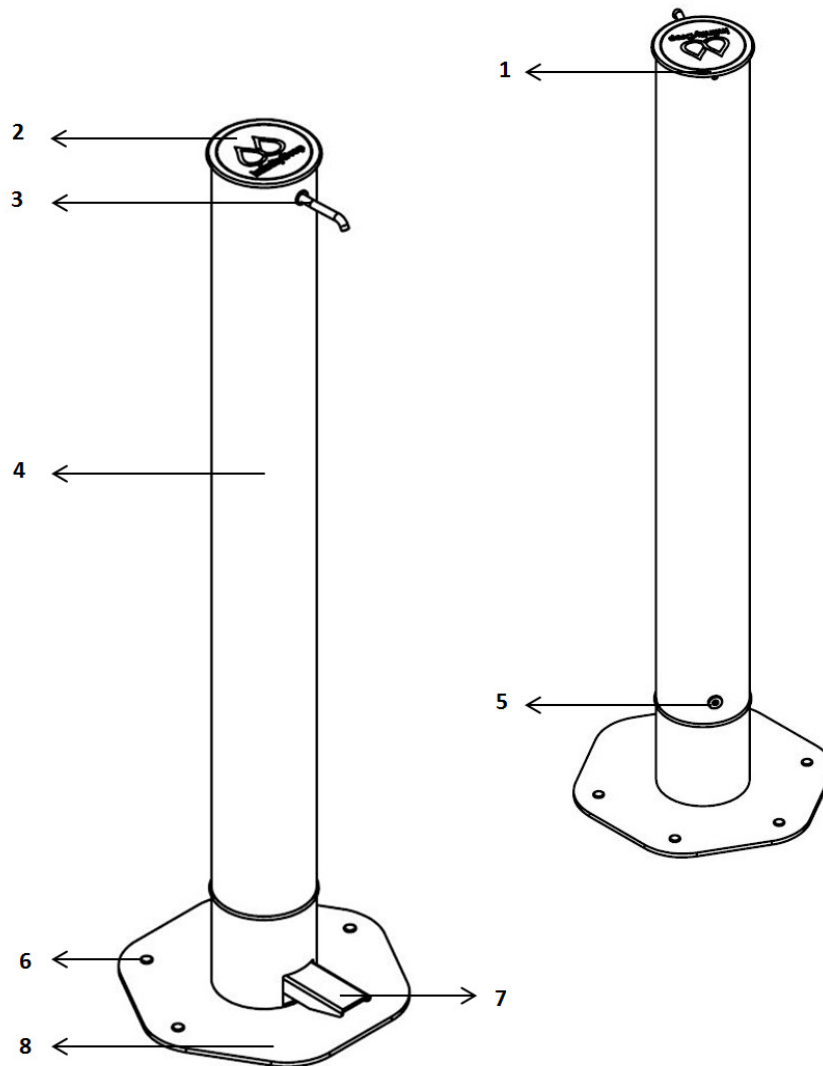




InfinityDrop User Manual



DIAGRAM



- 1. LOCKING ALLEN SCREW (PREVENT CONTAMINATION OF LIQUID)**
- 2. LID**
- 3. NOZZLE**
- 4. MAIN DISPENSER BODY**
- 5. FLUSHING SCREW (FOR CLEANING)**
- 6. BASE FIXING HOLES**
- 7. PEDAL**
- 8. BASE**



SAFETY WARNING

Important - do not use any chlorine-based cleaning liquid on this product!

Read the product user instructions carefully before use.

This guide will help you install the dispenser correctly & safely.

Please observe all safety instructions.

Keep this guide in a safe place for any future reference.

Non-observance of these instructions may invalidate your guarantee.

PRODUCT PURPOSE/USE

The InfinityDrop dispenser was engineered to deliver a small quantity of gel liquid disinfectant using a hands-free method, ensuring a small amount of disinfectant is emitted to facilitate hygienic conditions for all users.

GENERAL SAFETY RULES

Do not lift or pull the product by its nozzle.

Do not lift the product holding just the lid area.

Do not use this product unless fixed down via the 4 fixing holes.

Ensure that the flushing and security screws are put back after every refill.

Do not use this product without the flushing screw being correctly in place.

Do not use chlorine-based solutions to refill the dispenser.

Do not use any chlorine-based cleaning liquid on the exterior of this product.

Do not let children play with this product.

Do not allow any solids to enter the dispenser, this could cause problems with the pump.



DISPENSER INSTALLATION

- 1. Take the dispenser out of its delivery box & place on the desired floor area.**
- 2. Mark the 4 fixing-holes on the floor through the base holes.**
- 3. Move the dispenser and drill the fixing-holes.**
- 4. Fit the fixing plugs or concrete-fixings.**
- 5. Fit the dispenser in place using the relevant fixings, and ensure that the screws/fittings are tightened suitably.**

NB. IT IS ESSENTIAL THAT THE DISPENSER IS HELD DOWN WITH FIXINGS IN ORDER TO AVOID ANY ACCIDENT INVOLVING THE FALLING-DOWN OF THE UNIT.

INFINITYDROP DISPENSER USE

Before use check the following:

- 1. That the dispenser is well-fixed to the floor/ground.**
- 2. That the dispenser is fitted in a visible and easy-access area.**
- 3. Ensure that access to the pedal is not blocked.**
- 4. Place open palms under the nozzle and depress the pedal to emit liquid gel.**

FILLING DISPENSER INFINITYDROP

- 1. After fixing the dispenser to the floor, undo the lid screw at the back of the dispenser.**
- 2. Lift the lid off and pour in the liquid gel solution - takes 6.3 liters.**

NB. DO NOT FILL DISPENSER WITH ANY CHLORINE-BASED SOLUTIONS

- 3. After filling, replace lid and security screw.**
- 4. After the first filling, depress the pedal until the pump fuels up and liquid starts to come out of the nozzle (takes around 20 pedal-movements).**



CLEANING

- 1. Undo the security screw and remove the lid, undo the flushing screw positioned at the bottom.**
- 2. Wash & rinse tank with a cleaning solution. We recommend alcohol-based solutions. DO NOT CLEAN DISPENSER WITH ANY CHLORINE-BASED SOLUTIONS.**
- 3. After rinsing, carefully put the flushing screw back in place.**
- 4. Replace lid and security screw.**

Technical Specifications

EAN Code Number: 5949221330013

Base: 270 x 293 mm

Height: 1005 mm

Weight: 8.7 kg

Package dimensions: 290 x 305 x 1080 mm

Package weight: 10 kg

Package content

- InfinityDrop dispenser
- Security Allen Key
- Flushing Allen Key
- User Manual
- Spare nozzle
- Stickers